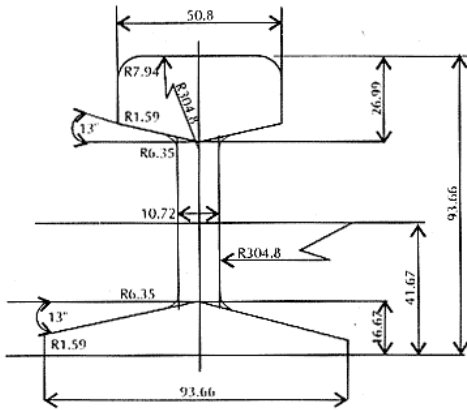
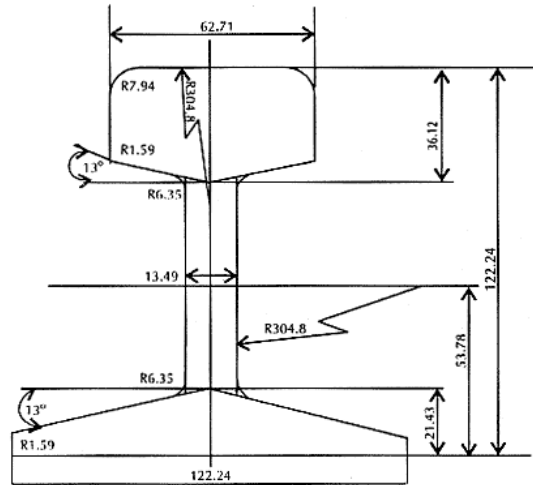


Section 1

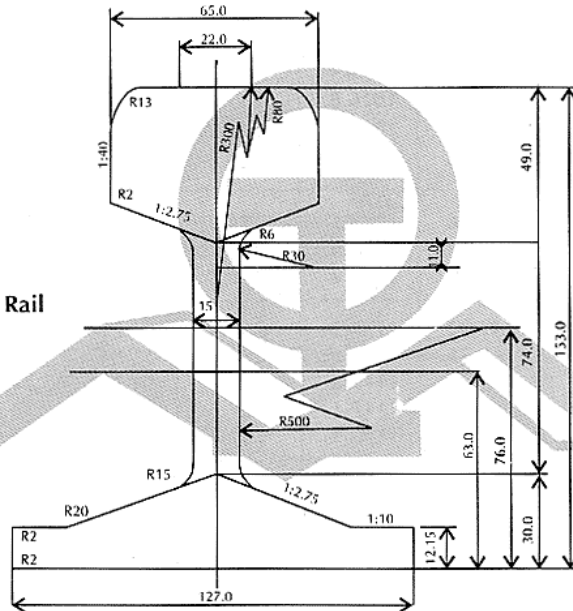
22Kg Rail



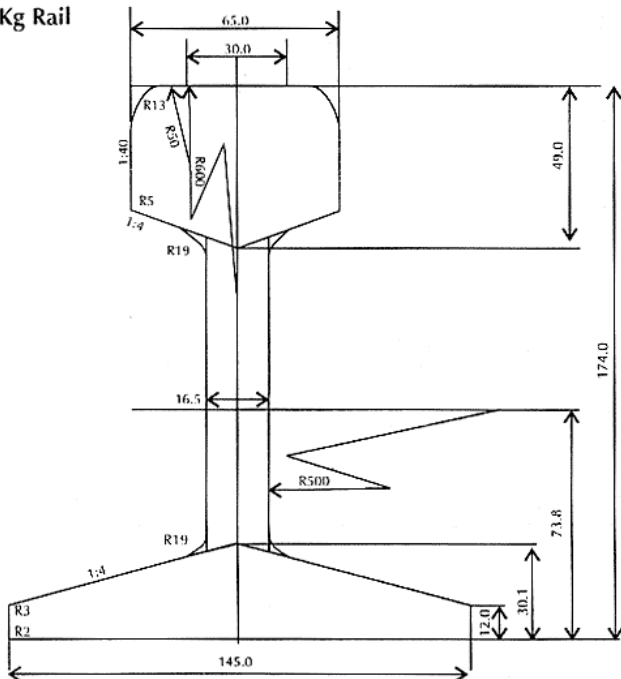
37Kg Rail



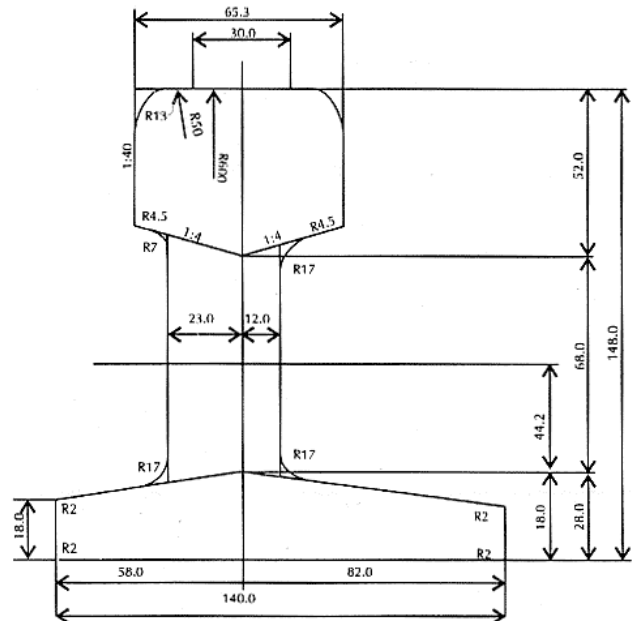
50KgN Rail



60Kg Rail

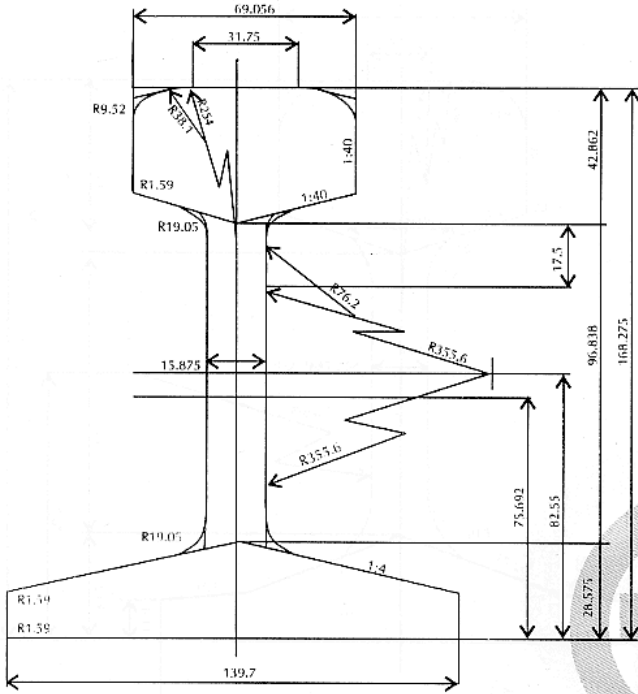


70S Rail

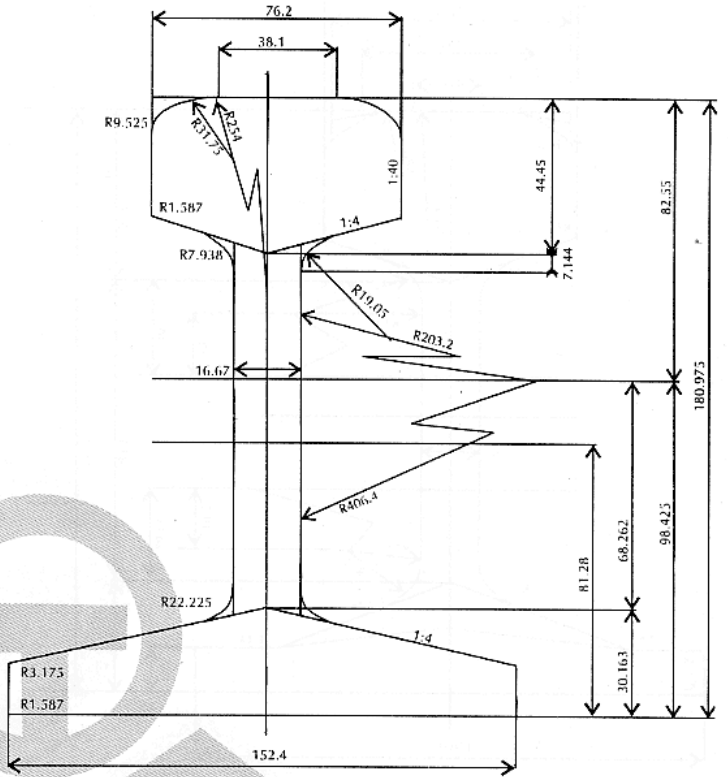


Section 2

115RE Rail

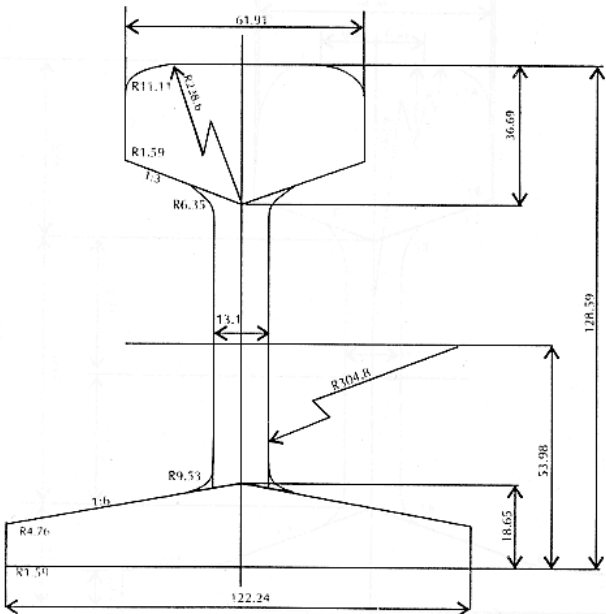


132RE Rail

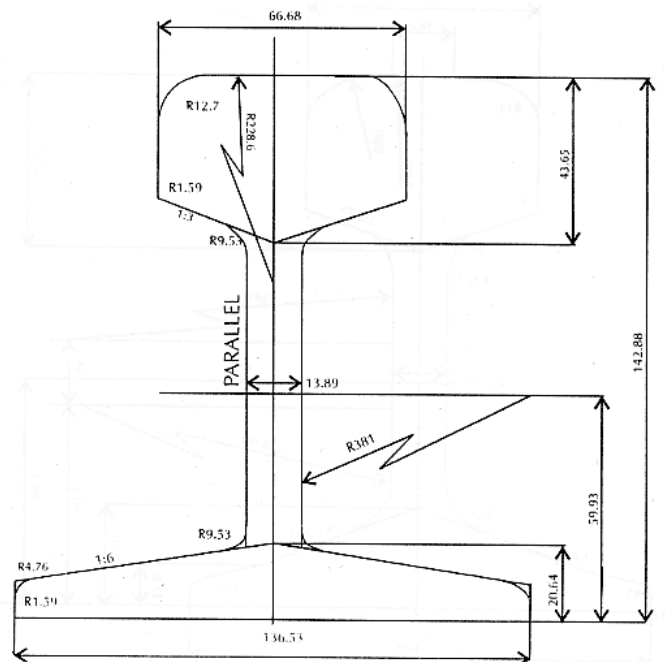


Section 3

BS 75R Rail



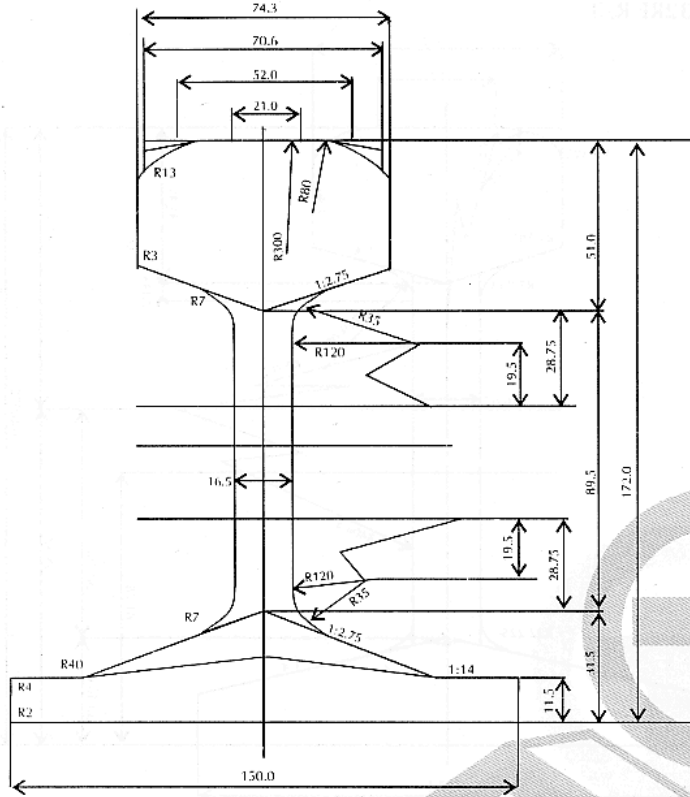
BS 90R Rail



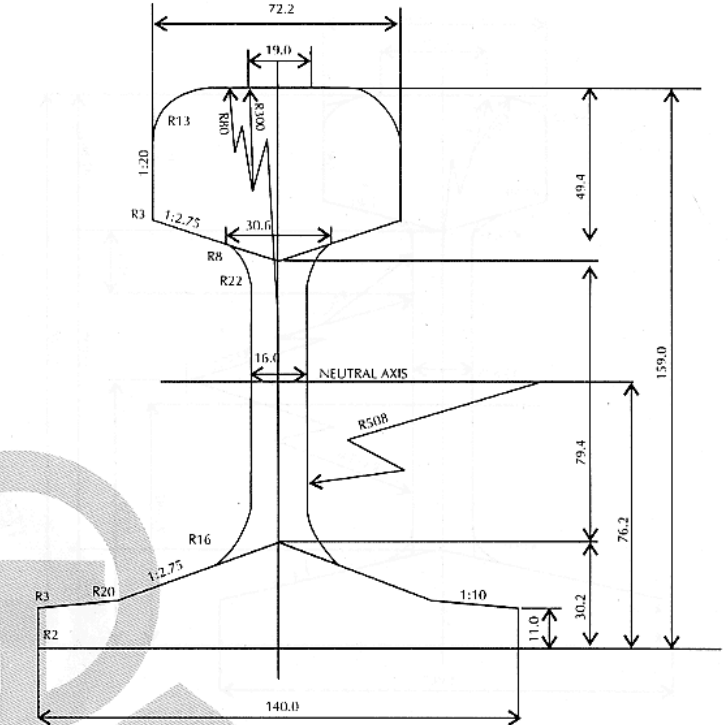
Section 4

* International Union of Railways

UIC 60Kg Rail



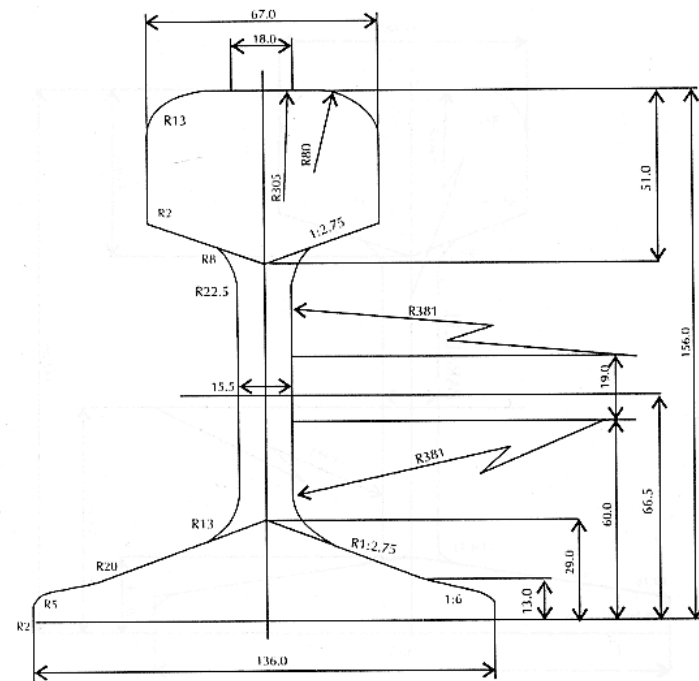
UIC 54Kg Rail



Section 5

* Others

IRS 52Kg Rail



U 33 Rail

